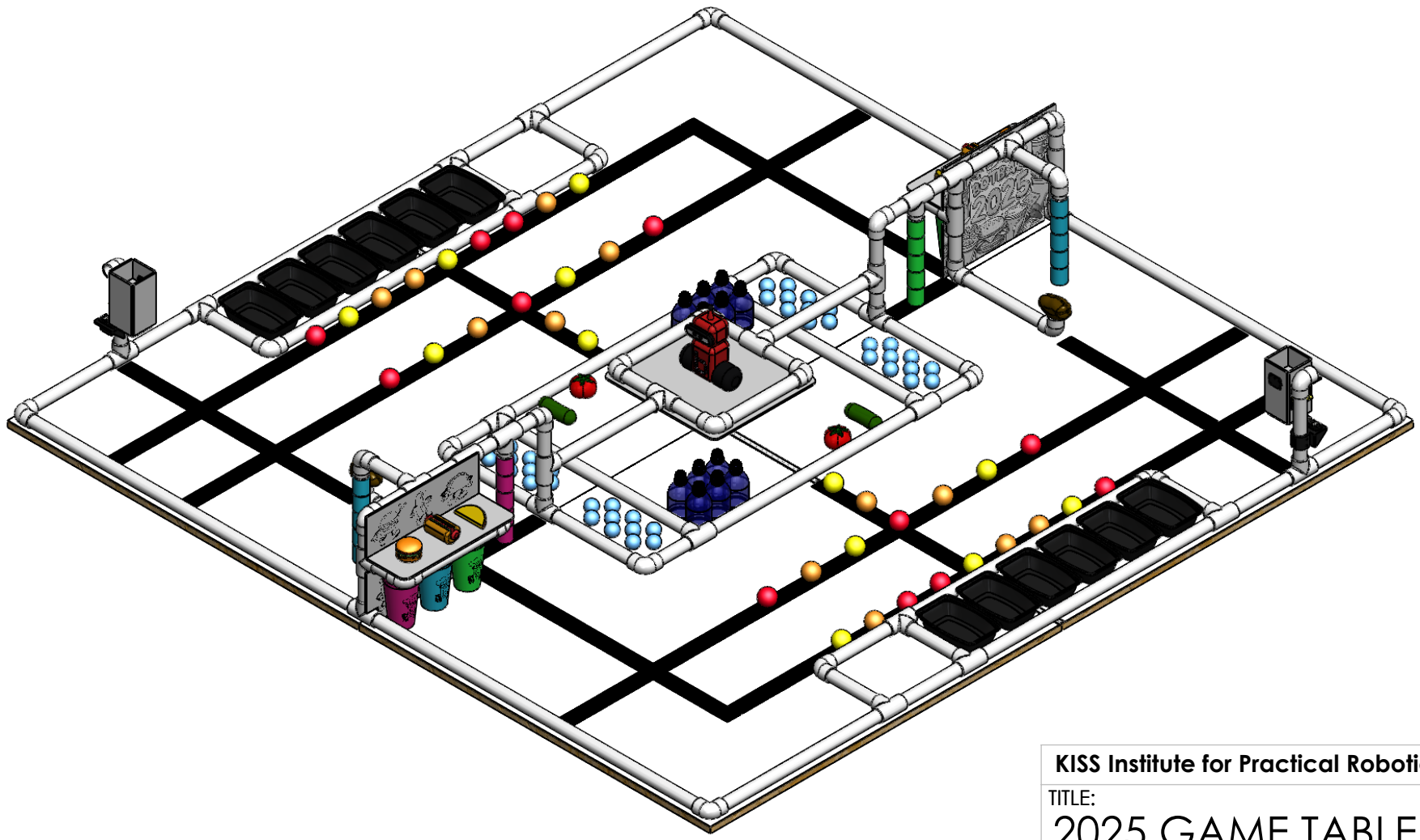


2

1

B

B



A

A

KISS Institute for Practical Robotics

TITLE:
2025 GAME TABLE

SIZE	DWG. NO.	REV
A	Cover	

SCALE: 1:15	SHEET 1 OF 14
-------------	---------------

2

1

2

1

ITEM NO.	PART NUMBER	DESCRIPTION	QTY.
1	3.625 inch pvc	1" ID SCH 40	6
2	4.000 inch PVC	1" ID SCH 40	8
3	5.000 inch PVC	1" ID SCH 40	6
4	5.5 inch pvc	1" ID SCH 40	8
5	6.000 inch PVC	1" ID SCH 40	6
6	8.250 inch PVC	1" ID SCH 40	6
7	9.000 inch PVC	1" ID SCH 40	4
8	9.375 inch pvc	1" ID SCH 40	4
9	9.625 inch pvc	1" ID SCH 40	4
10	11.250 inch PVC	1" ID SCH 40	2
11	12.375 inch pvc	1" ID SCH 40	10
12	15 inch pvc	1" ID SCH 40	2
13	23.125 inch pvc	1" ID SCH 40	2
14	26.125 inch pvc	1" ID SCH 40	2
15	29.25 inch pvc	1" ID SCH 40	2
16	33.000 inch PVC	1" ID SCH 40	4
17	45.750 inch PVC	1" ID SCH 40	4
18	2 inch - 1-1/4" PVC	1.25" ID SCH 40	20
19	1" Elbow Connector	Connector SCH 40	32
20	1" T Connector	Connector SCH 40	32
21	Particle Board 4' x 4' x 3/8" thick	or similar - can be cut from two 4' x 8' sheets	4
22	FRP Divider 48" long	White - cut from one 8' long part	2
23	FRP 4' x 4'	White - cut from two 4' x 8' sheets	4
24	Corrugated Plastic	White - 18" x 24"	4
25	Black duct tape	3M Black Duct Tape - Model #3920-BK	1

TAPE LIST
3M Multi-Use Colored Duct Tape Black - 1.88" X 20 Yards
Duck Brand 1311000 Color Duct Tape Electric Blue - 1.88 Inches x 20 Yards
Duck Brand 1265018 Color Duct Tape Neon Lime Green - 1.88 Inches x 20 Yards
Duck Brand Colored Duct Tape Neon Pink - 1.88 Inches x 15 Yards

An Amazon list of all tape needed can be found [here](#).

All connectors used by KIPR will be LASCO brand. An alternative brand called Spears can be found on supplyhouse.com with cheaper prices. The dimensions for Spears T connectors are an 1/8" wider inside and will need to be accounted for in your build if used.

KISS Institute for Practical Robotics

TITLE:

2025 GAME TABLE

SIZE

A

DWG. NO.

BOM

REV

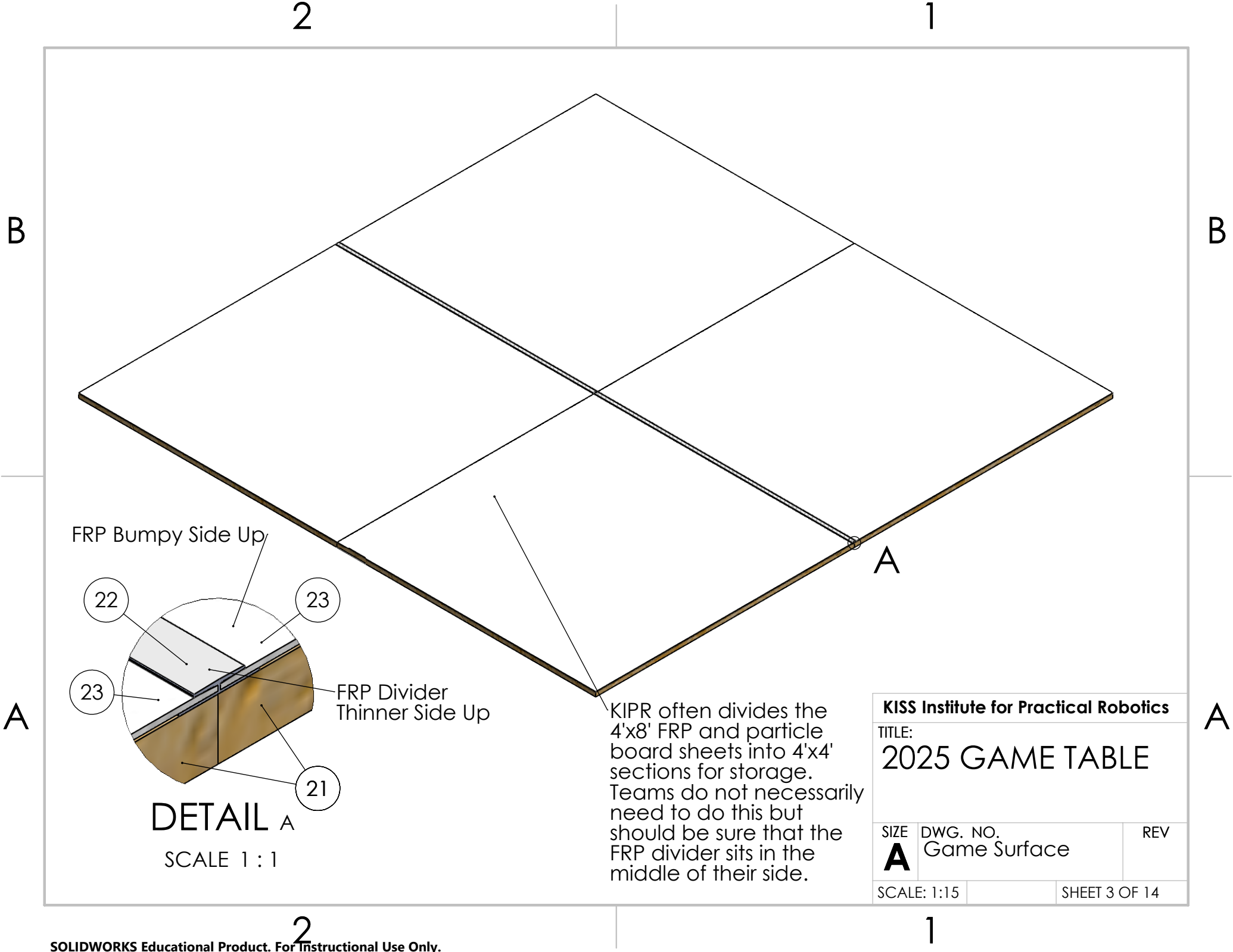
SCALE: 1:50

SHEET 2 OF 14

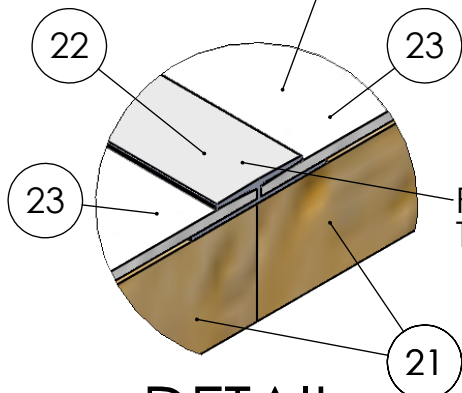
Links to particle board, FRP divider, FRP, and corrugated plastic above

2

1



FRP Bumpy Side Up



FRP Divider Thinner Side Up

DETAIL A

SCALE 1:1

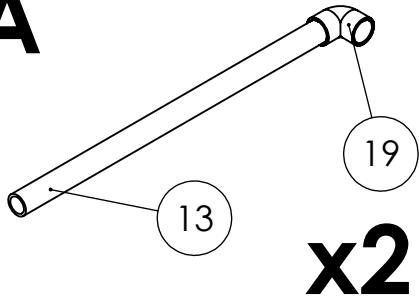
KIPR often divides the 4'x8' FRP and particle board sheets into 4'x4' sections for storage. Teams do not necessarily need to do this but should be sure that the FRP divider sits in the middle of their side.

KISS Institute for Practical Robotics		
TITLE: 2025 GAME TABLE		
SIZE A	DWG. NO. Game Surface	REV
SCALE: 1:15	SHEET 3 OF 14	

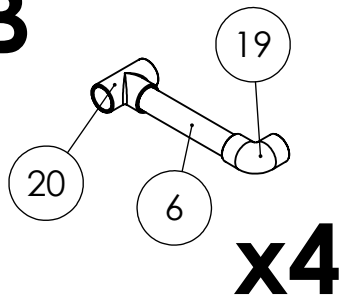
2

1

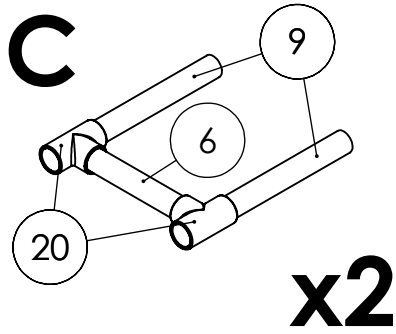
A



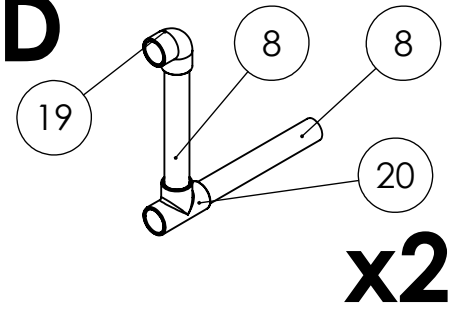
B



C



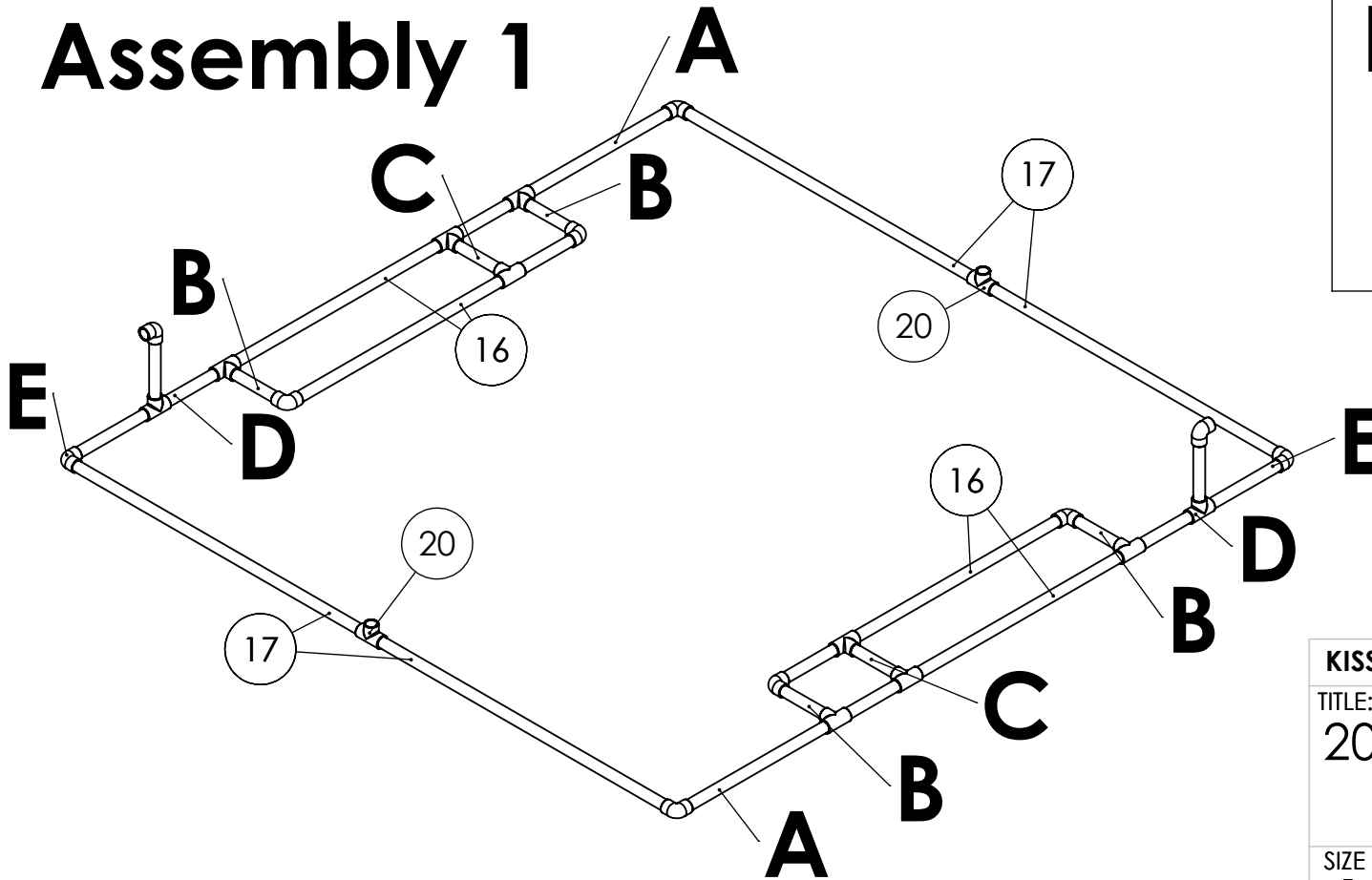
D



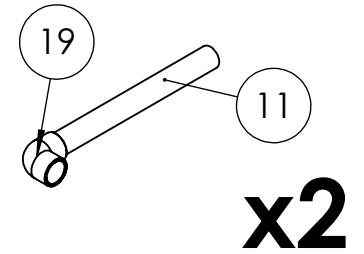
B

B

Assembly 1



E



A

A

KISS Institute for Practical Robotics		
TITLE: 2025 GAME TABLE		
SIZE A	DWG. NO. Assembly 1	REV
SCALE: 1:20	SHEET 4 OF 14	

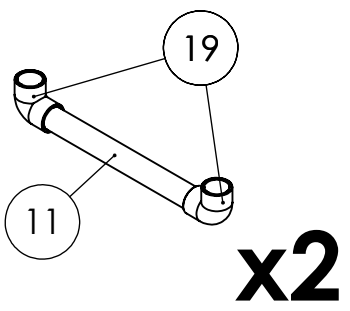
2

1

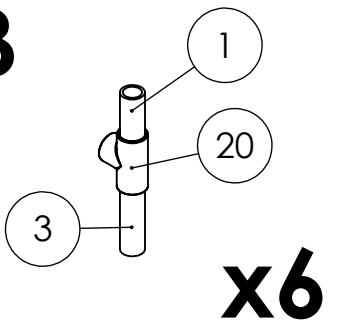
2

1

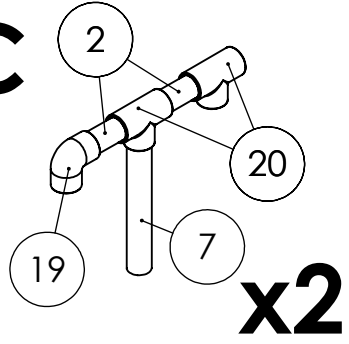
A



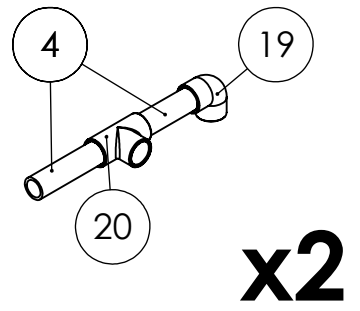
B



C



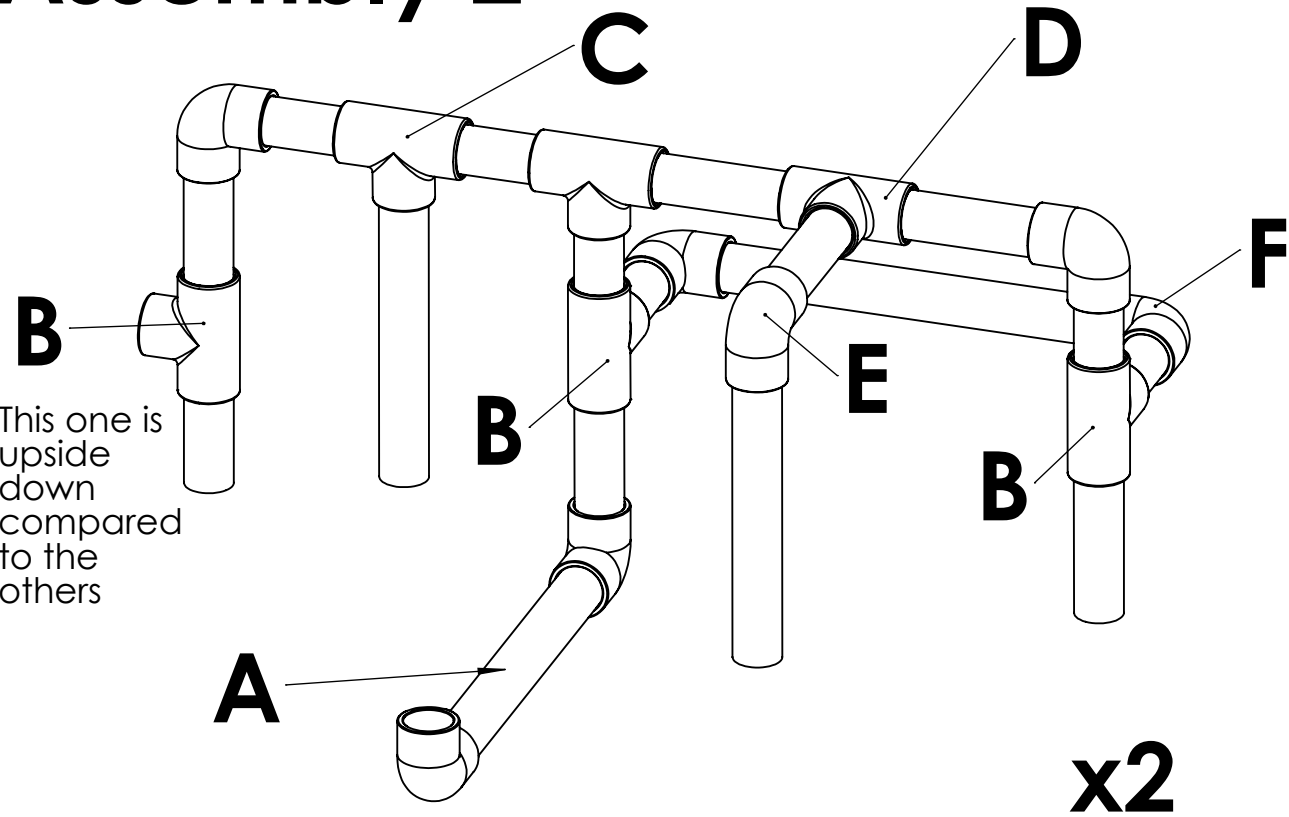
D



B

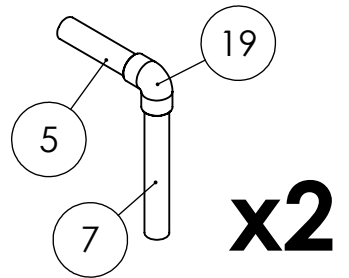
B

Assembly 2

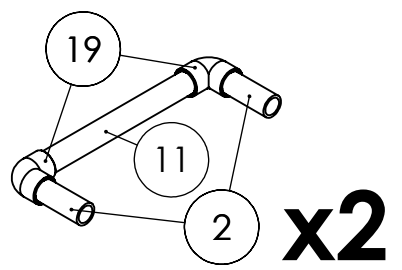


This one is upside down compared to the others

E



F



A

A

KISS Institute for Practical Robotics

TITLE:
2025 GAME TABLE

SIZE A	DWG. NO. Assembly 2	REV
------------------	------------------------	-----

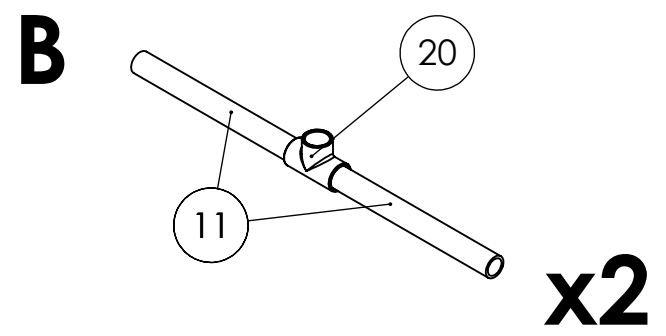
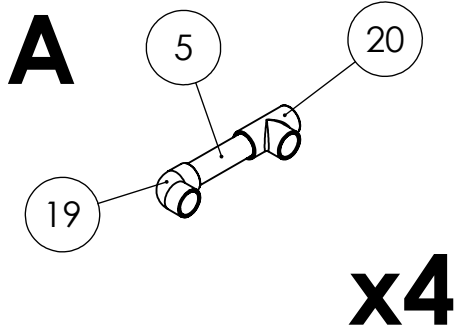
SCALE: 1:5	SHEET 5 OF 14
------------	---------------

2

1

2

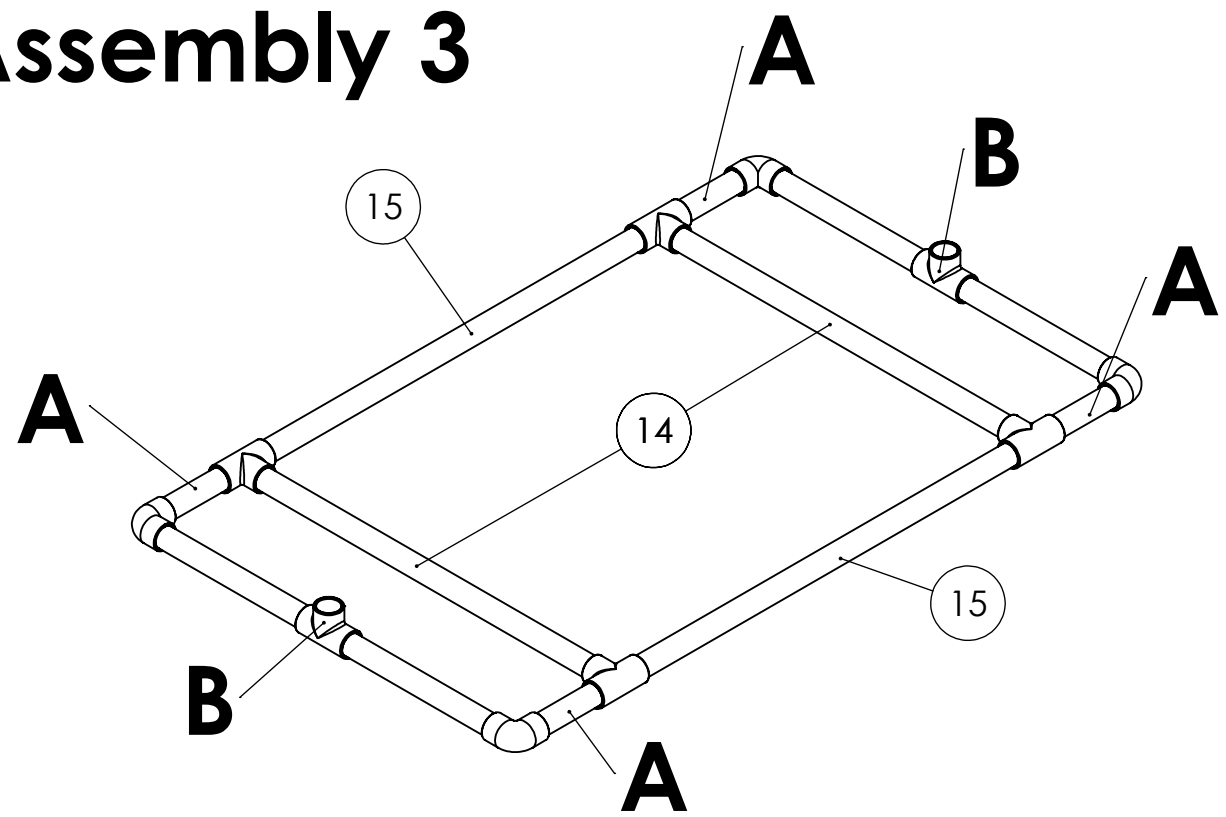
1



B

B

Assembly 3



A

A

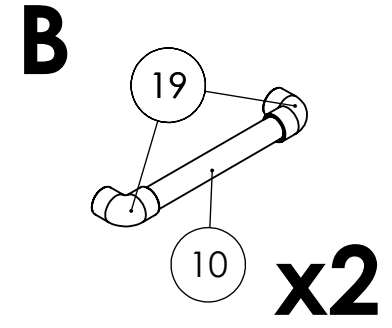
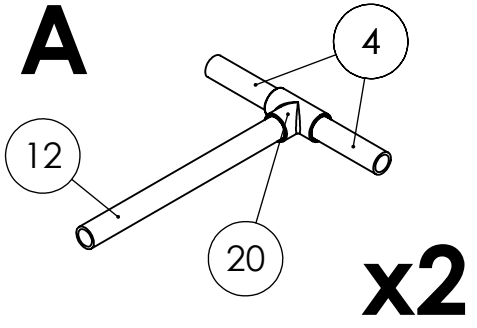
KISS Institute for Practical Robotics		
TITLE: 2025 GAME TABLE		
SIZE A	DWG. NO. Assembly 3	REV
SCALE: 1:10	SHEET 6 OF 14	

2

1

2

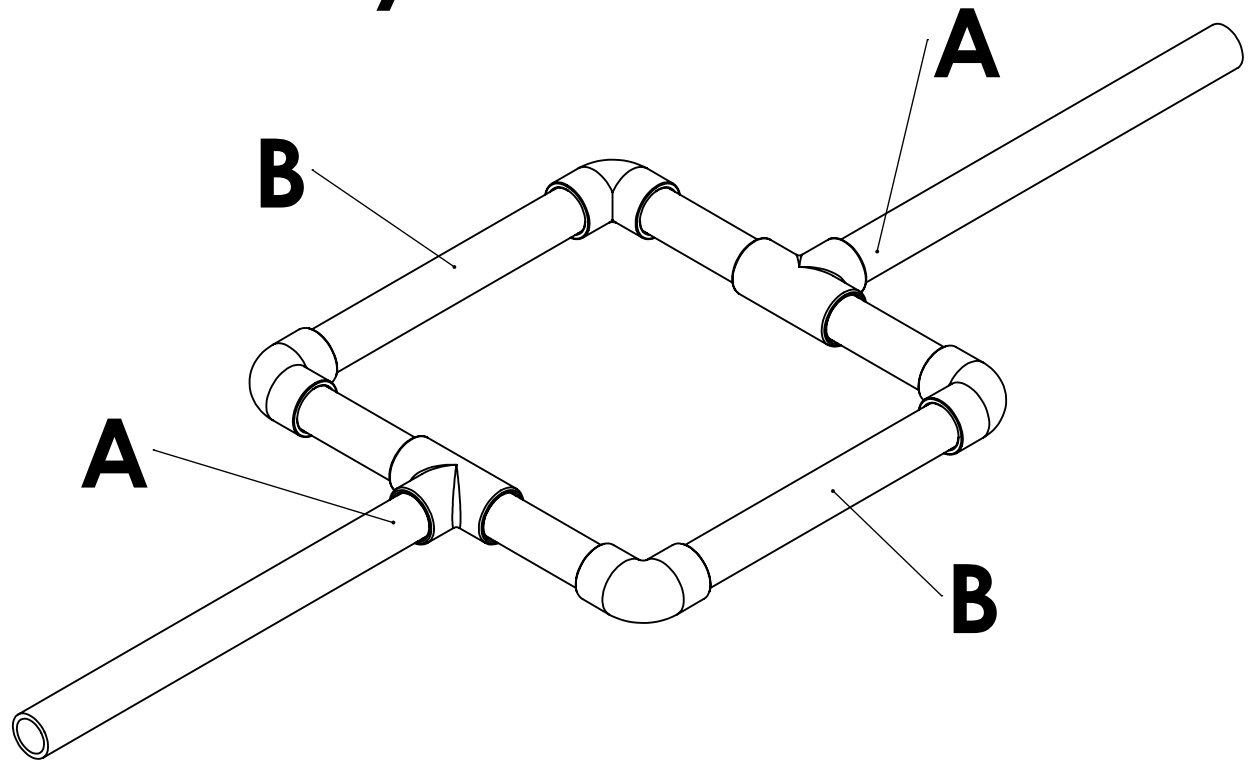
1



B

B

Assembly 4



A

A

KISS Institute for Practical Robotics

TITLE:
2025 GAME TABLE

SIZE	DWG. NO.	REV
A	Assembly 4	

SCALE: 1:5

SHEET 7 OF 14

2

1

2

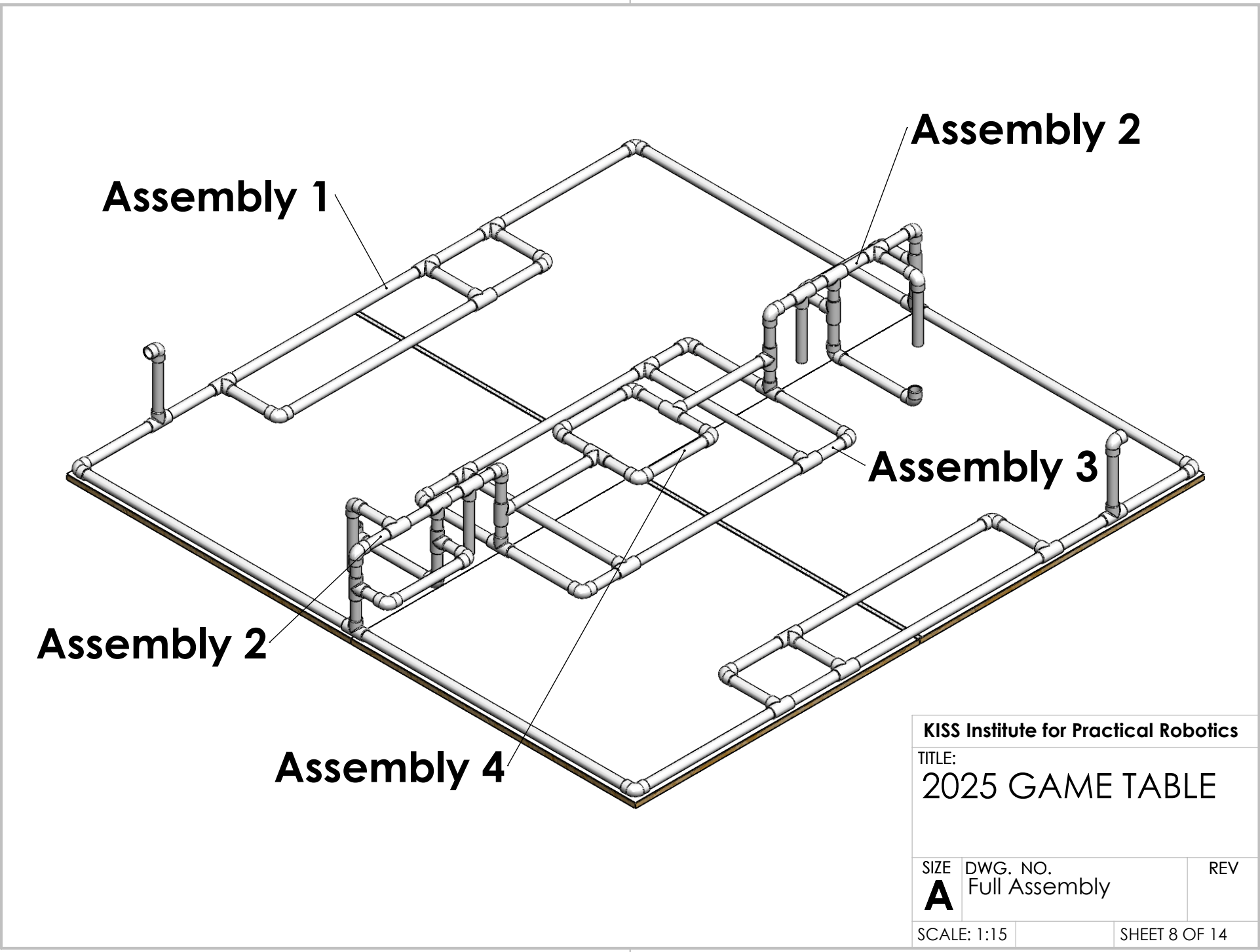
1

B

B

A

A



Assembly 2

Assembly 1

Assembly 3

Assembly 2

Assembly 4

KISS Institute for Practical Robotics

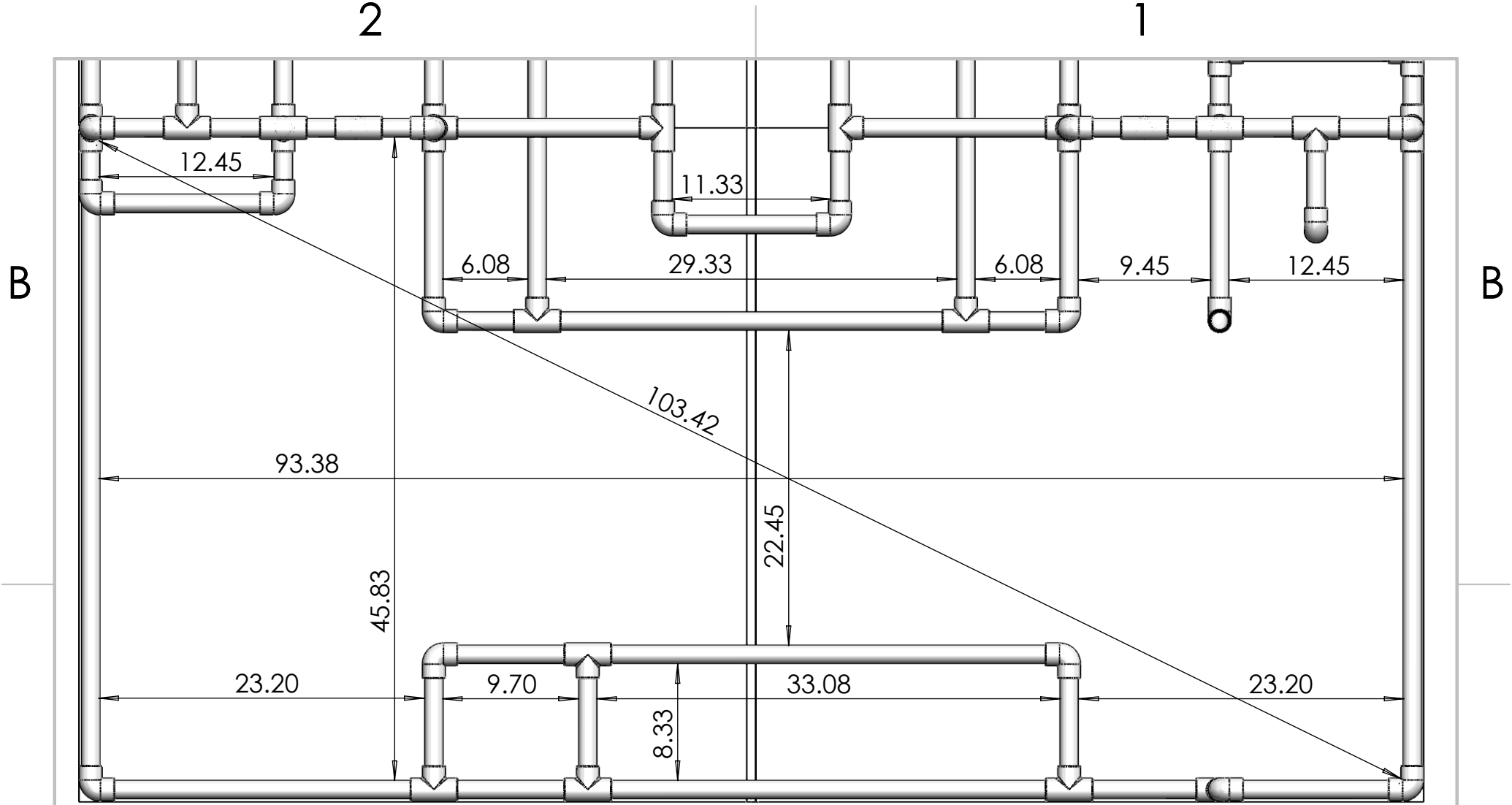
TITLE:
2025 GAME TABLE

SIZE	DWG. NO.	REV
A	Full Assembly	

SCALE: 1:15	SHEET 8 OF 14
-------------	---------------

2

1



Numbers on this page are approximate. Teams should use them as a way to determine how close thier build is if they are using non LASCO couplers.

All KIPR tables have a variation of +/-0.25" or up to 1% of the specification.

KISS Institute for Practical Robotics

TITLE:
2025 GAME TABLE

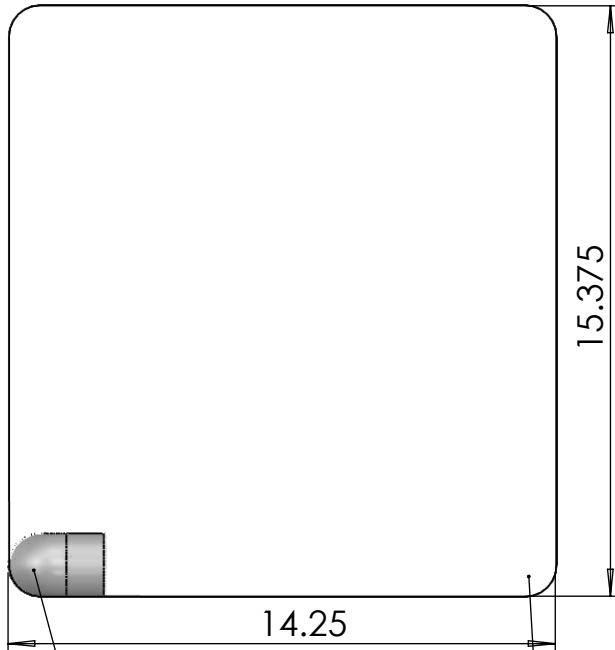
SIZE	DWG. NO.	REV
A	Add.	
Measurements		

SCALE: 1:10 SHEET 9 OF 14

2

1

Head Chef Station

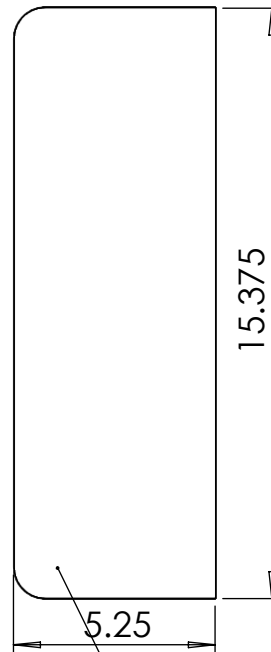


A coupler can be used as a guide to round off the corner.

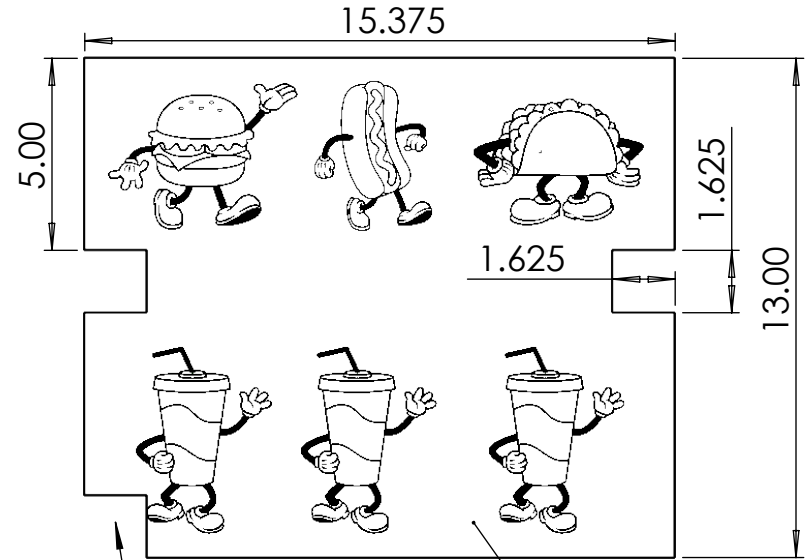
Corners will be rounded off to prevent snagging.

Warming Station

Shelf



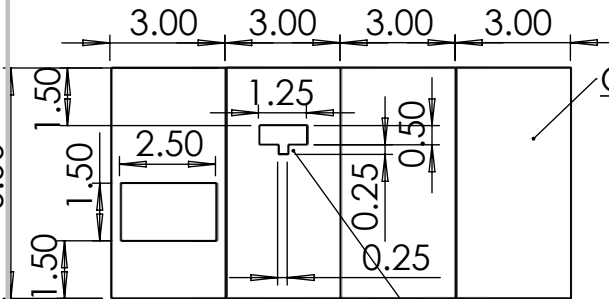
Back



The holes in this piece are meant to fit over the couplers. All will be 1.625" squares.

The images are optional but will be on pieces at the tournament.

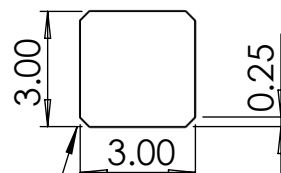
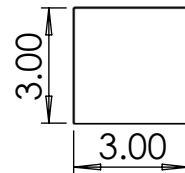
Potato Fryer



Outside

Inner Level

Dropper



Fits a rangefinder sensor

This piece can be made out of 6"x12" piece by only cutting through one side of the corrugated plastic at each joint and then folding

Corners cut to prevent snagging

KISS Institute for Practical Robotics

TITLE:

2025 GAME TABLE

SIZE

A

DWG. NO.

Corrugated Plastic

REV

Cuts

SCALE: 1:5

SHEET 10 OF 14

2

1

2

1

B

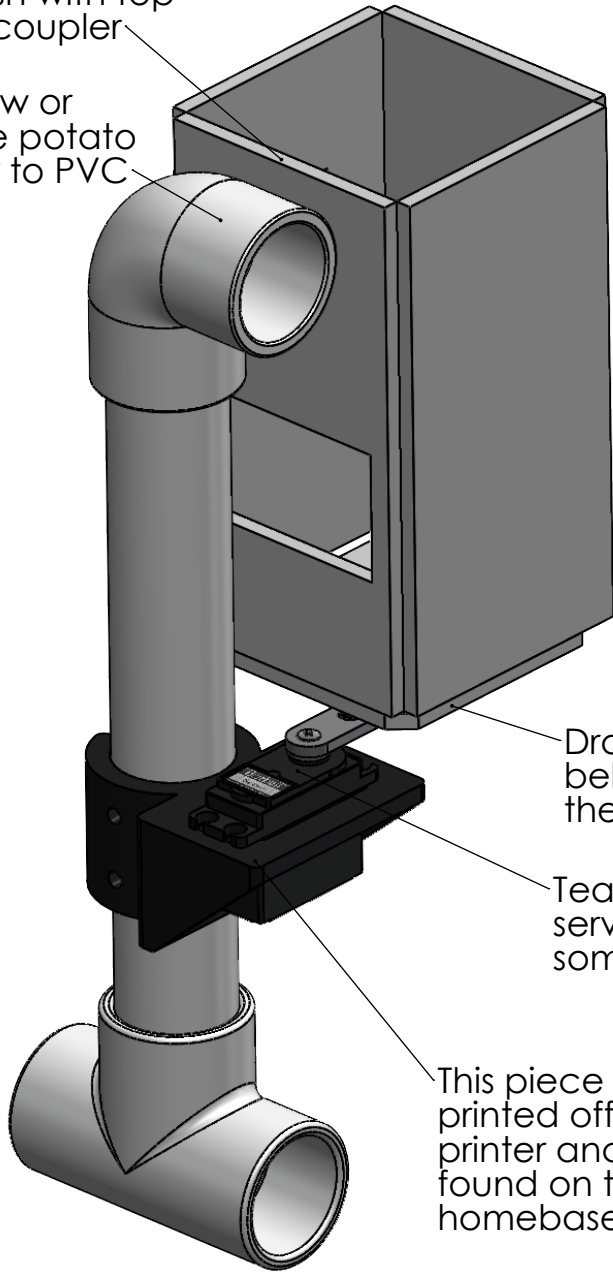
B

A

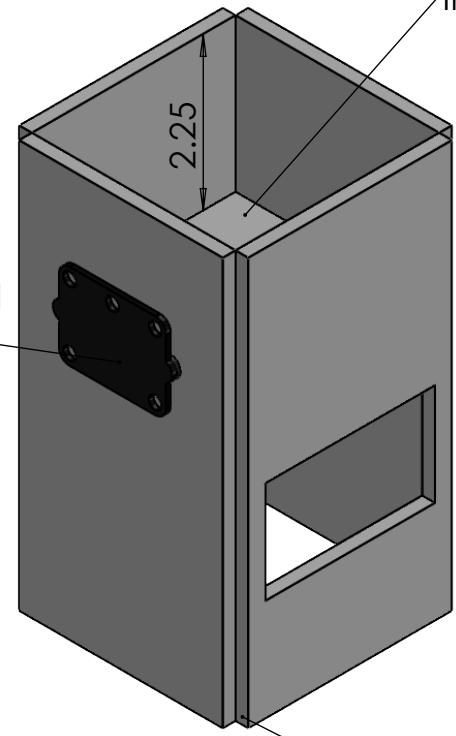
A

Flush with top
of coupler

Screw or
tape potato
fryer to PVC



Can be
screwed
or taped
on



Inner Level

2.25

Lines up with bottom
of rangefinder sensor

Outer walls can be folded
into shape and taped
together on corners.

Dropper should be just
below the opening at
the bottom of the fryer.

Teams do not have to simulate this using a
servo and can simulate the drop by holding
something in place instead.

This piece can be
printed off on your 3D
printer and can be
found on team
homebase.

KISS Institute for Practical Robotics

TITLE:
2025 GAME TABLE

SIZE	DWG. NO.	REV
A	Potato Fryer	

SCALE: 1:2 SHEET 11 OF 14

2

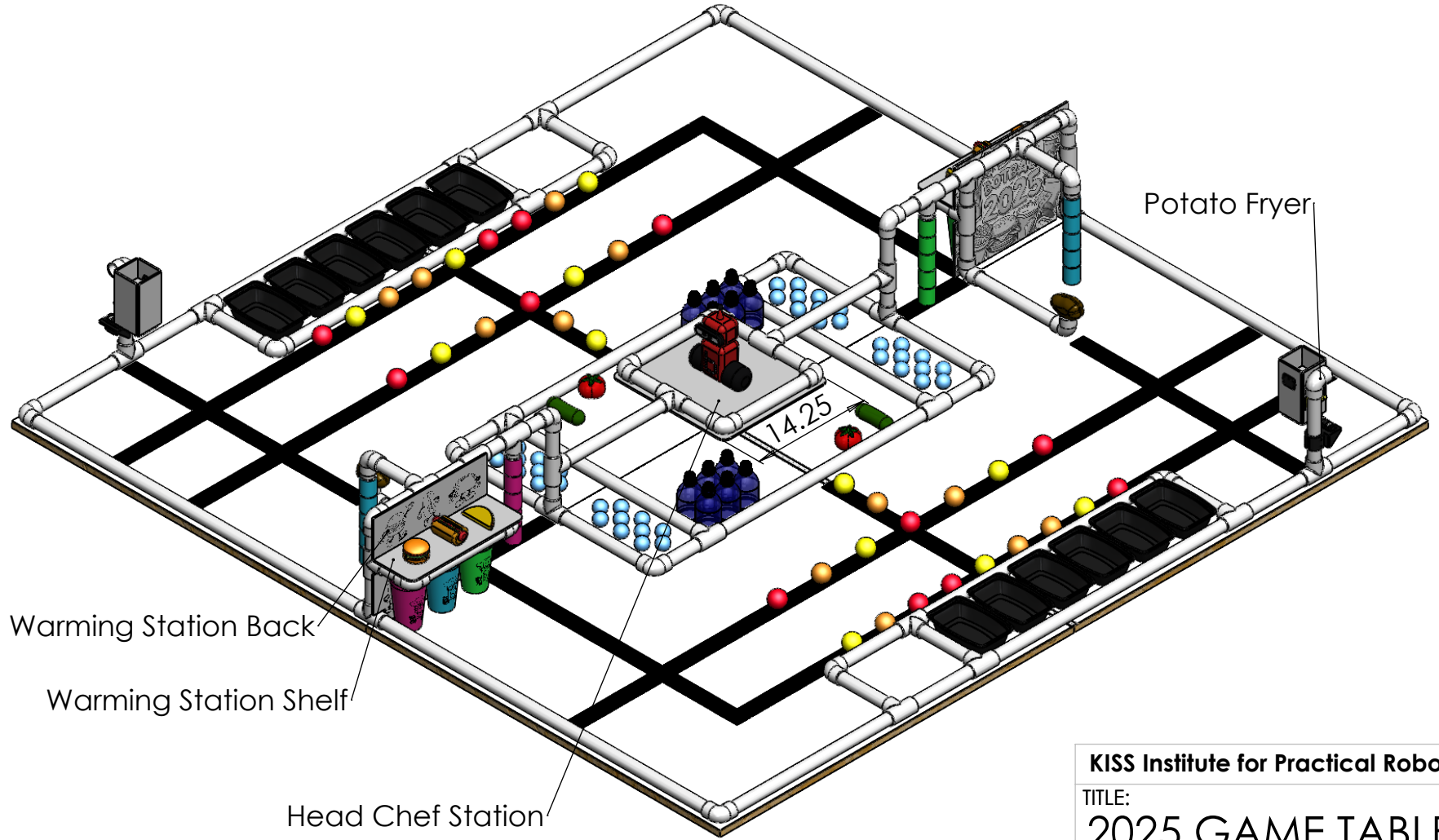
1

2

1

B

B



Warming Station Back

Warming Station Shelf

Head Chef Station

Potato Fryer

14.25

A

A

Secure the above three pieces using screws or tape

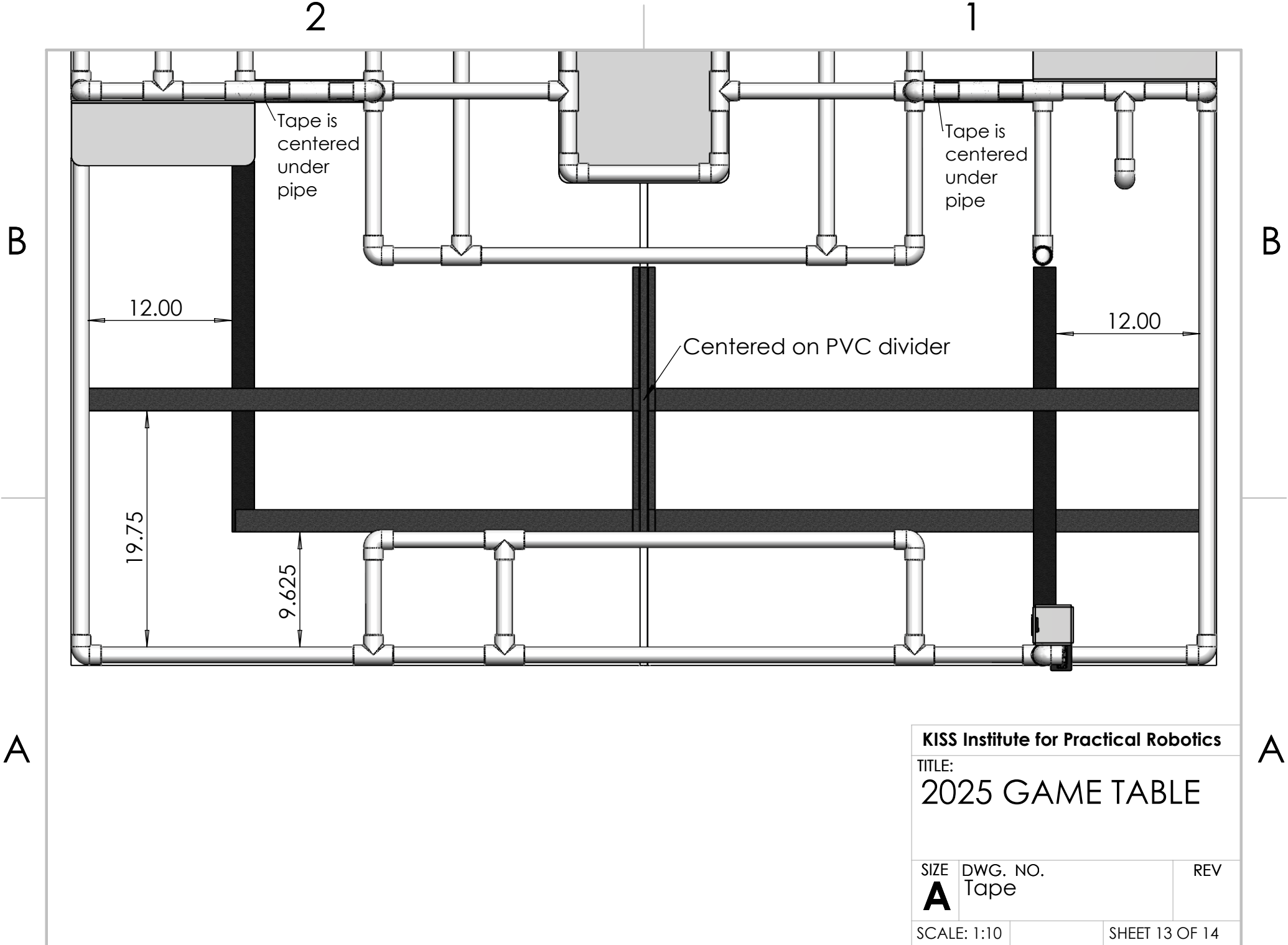
KISS Institute for Practical Robotics

TITLE:
2025 GAME TABLE

SIZE	DWG. NO.	REV
A	Corrugated Plastic Assembly	
SCALE: 1:15	SHEET 12 OF 14	

2

1



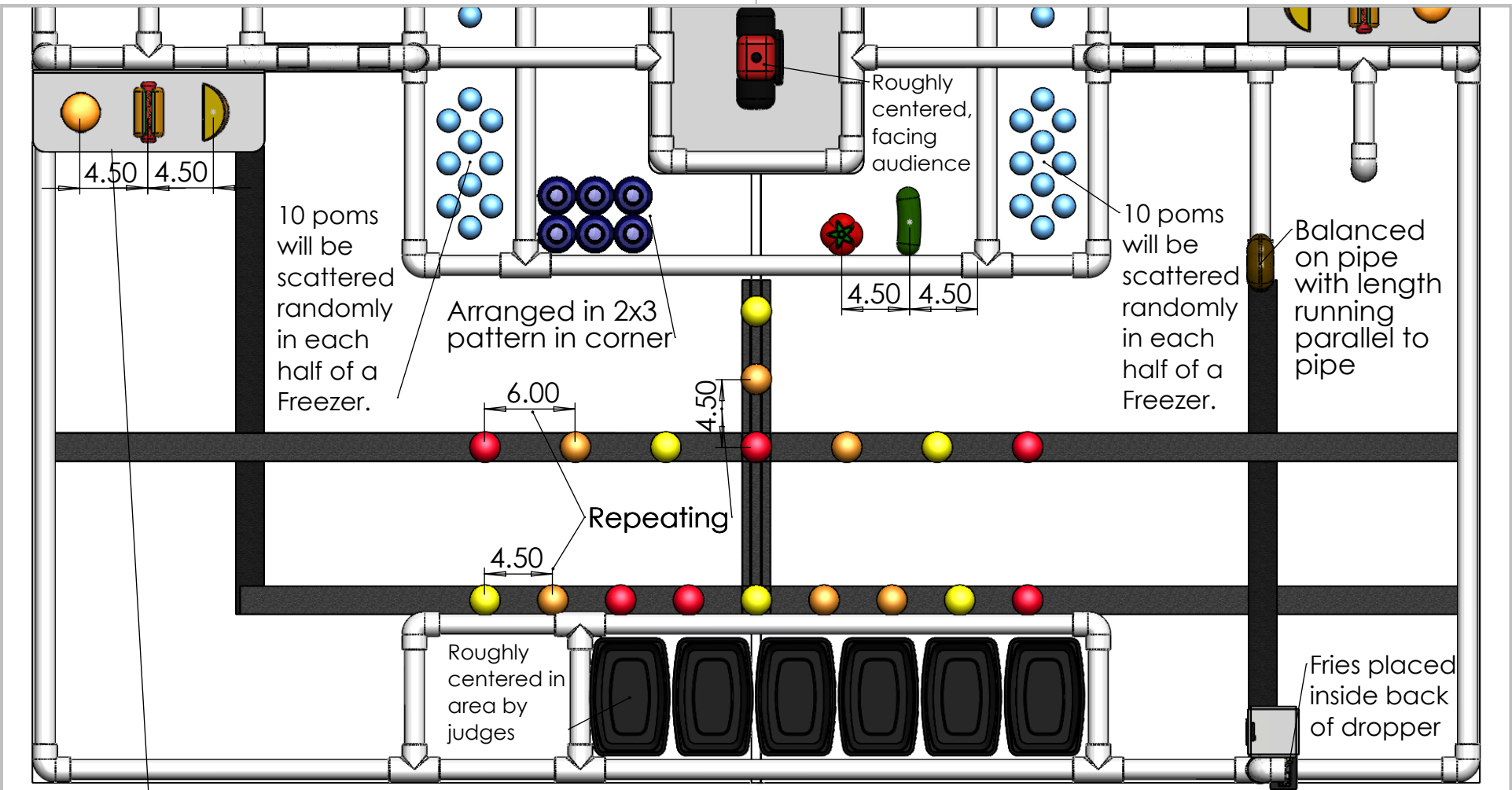
KISS Institute for Practical Robotics		
TITLE: 2025 GAME TABLE		
SIZE A	DWG. NO. Tape	REV
SCALE: 1:10	SHEET 13 OF 14	

2

1

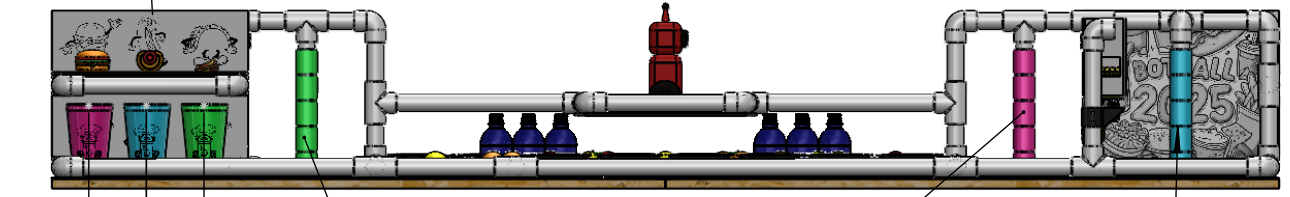
B

B



A

A



Make 5 of the 1-1/4" pipes green

Make 5 of the 1-1/4" pipes pink

Make 10 of the 1-1/4" pipes blue

KISS Institute for Practical Robotics

TITLE:
2025 GAME TABLE

SIZE	DWG. NO.	REV
A	Game Pieces	

SCALE: 1:10

SHEET 14 OF 14

2

1